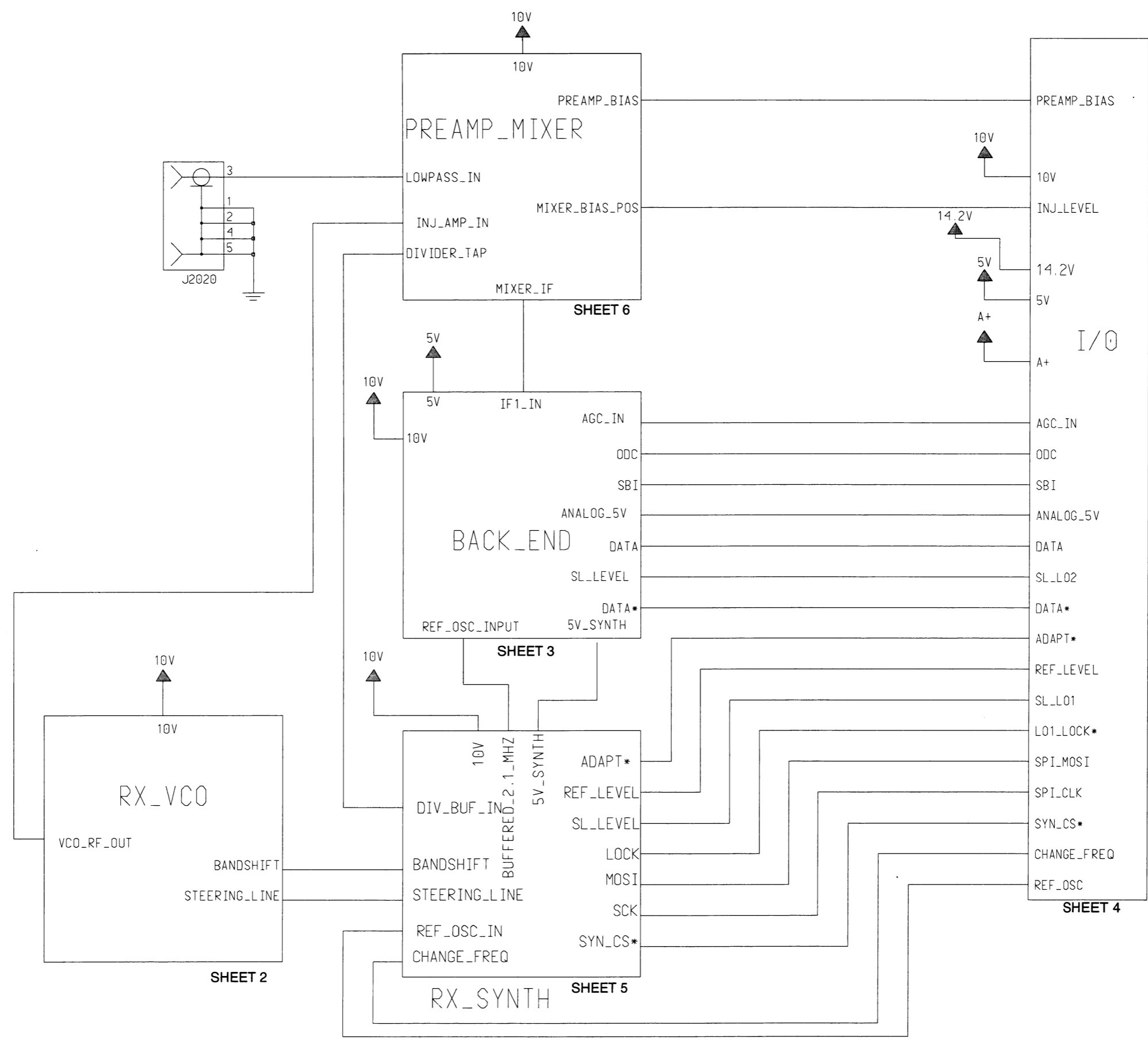


# RANGE 0 RECEIVER

MODEL CRX4022B

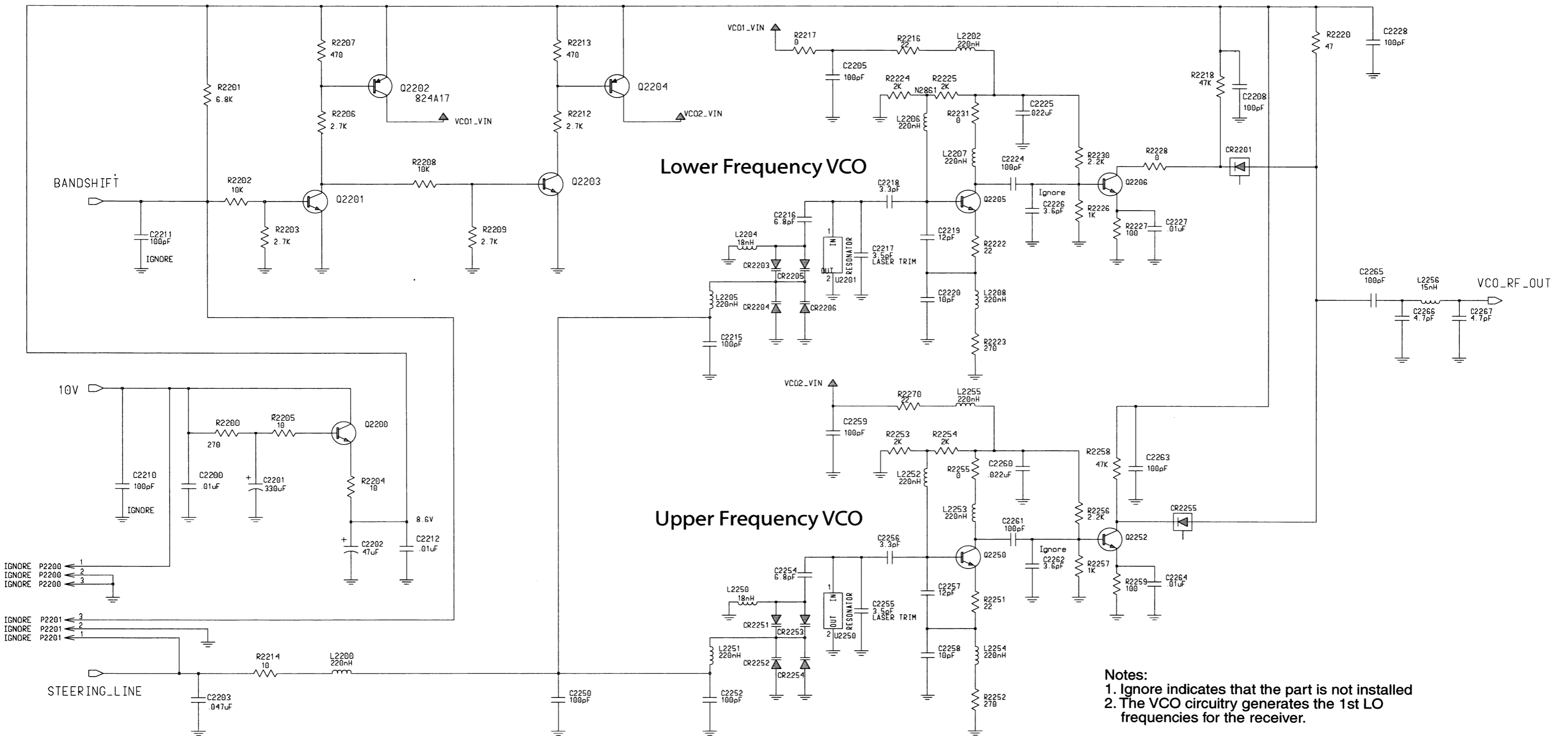


OVERALL BLOCK DIAGRAM

# RANGE 0 RECEIVER

MODEL CRX4022B

## VCO Select Switch

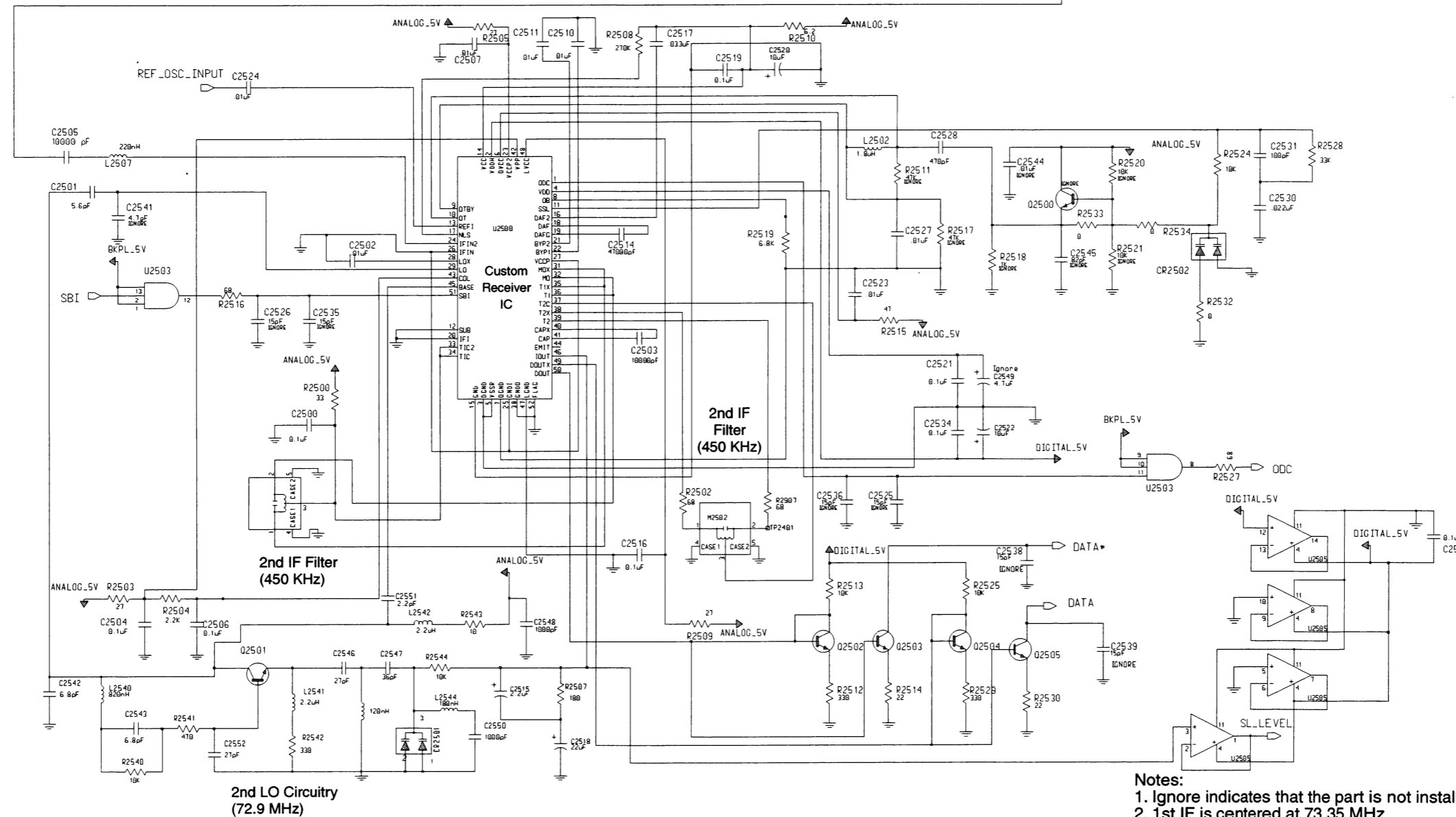
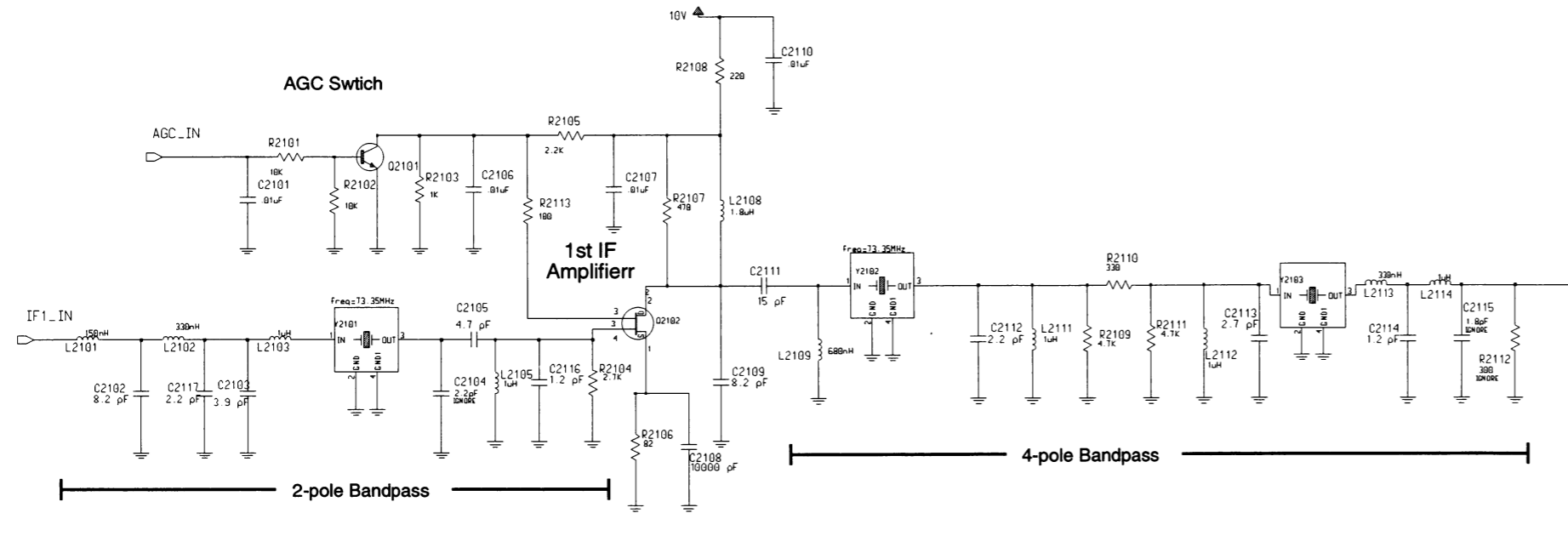


Notes:  
1. Ignore indicates that the part is not installed  
2. The VCO circuitry generates the 1st LO frequencies for the receiver.

RECEIVER VOLTAGE-CONTROLLED OSCILLATOR (VCO)

# RANGE 0 RECEIVER

## MODEL CRX4022B

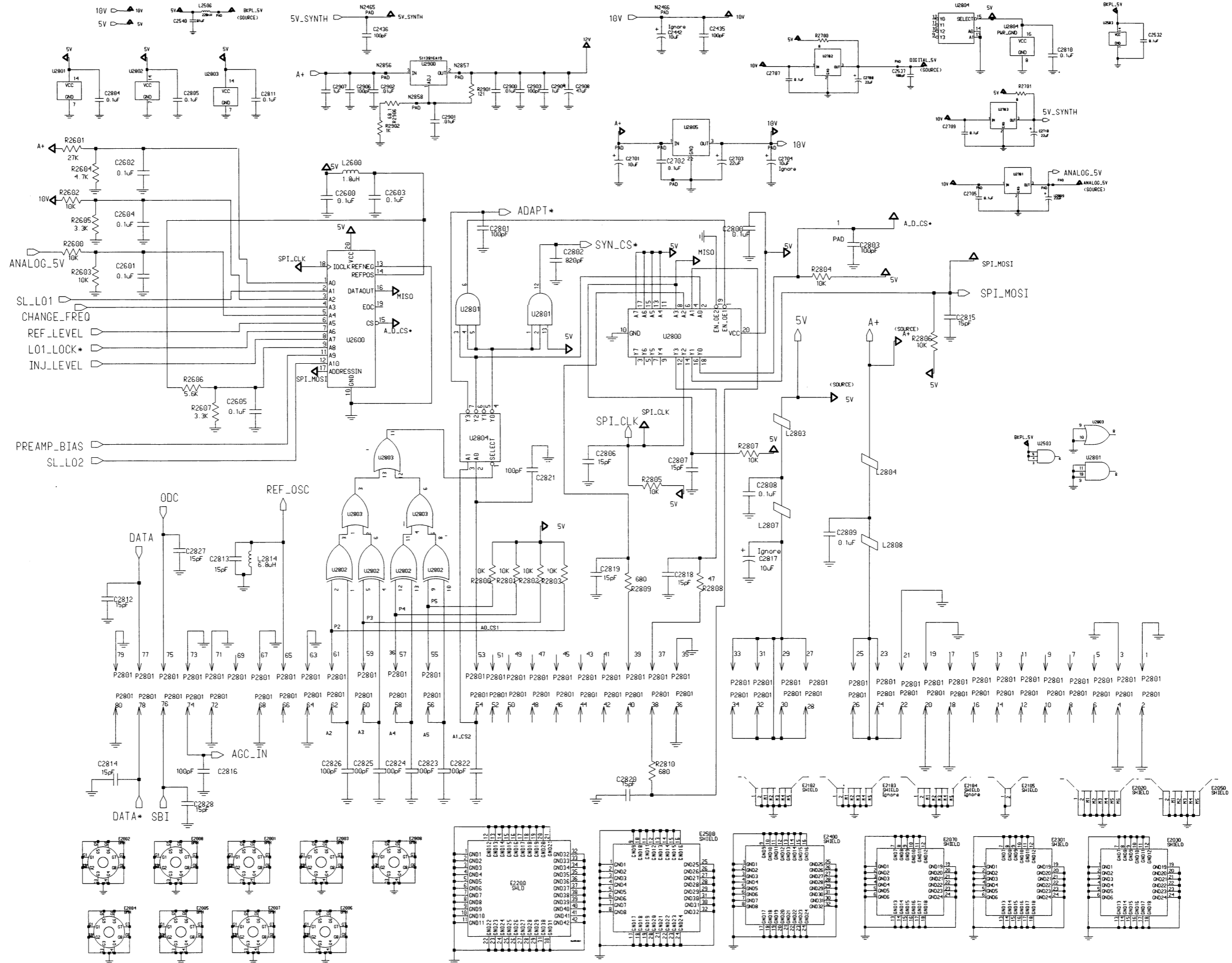


- Notes:  
 1. Ignore indicates that the part is not installed  
 2. 1st IF is centered at 73.35 MHz

RECEIVER BACK END

# RANGE 0 RECEIVER

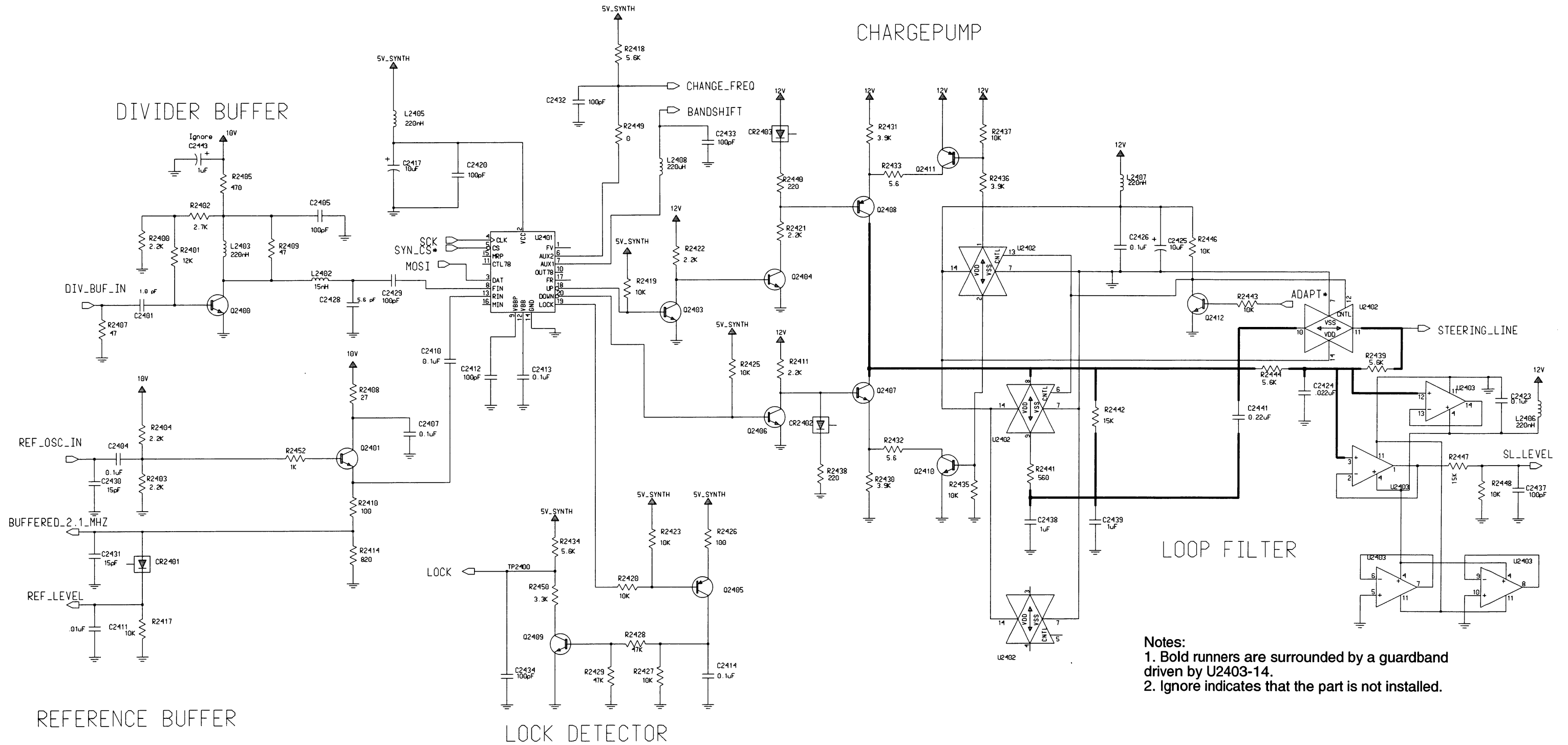
MODEL CRX4022B



## RECEIVER INTERCONNECT

# RANGE 0 RECEIVER

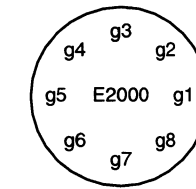
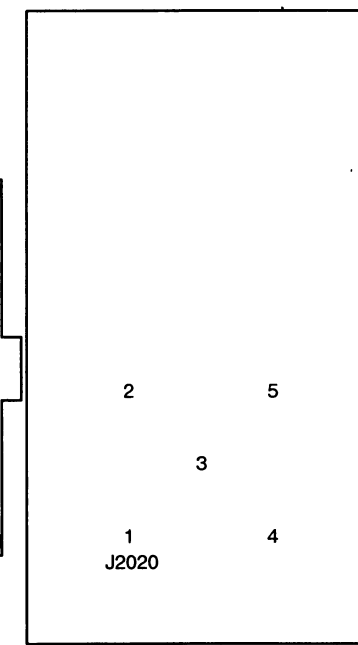
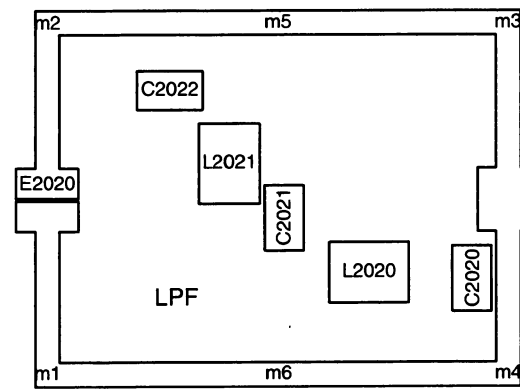
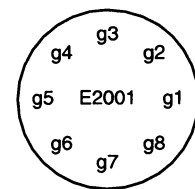
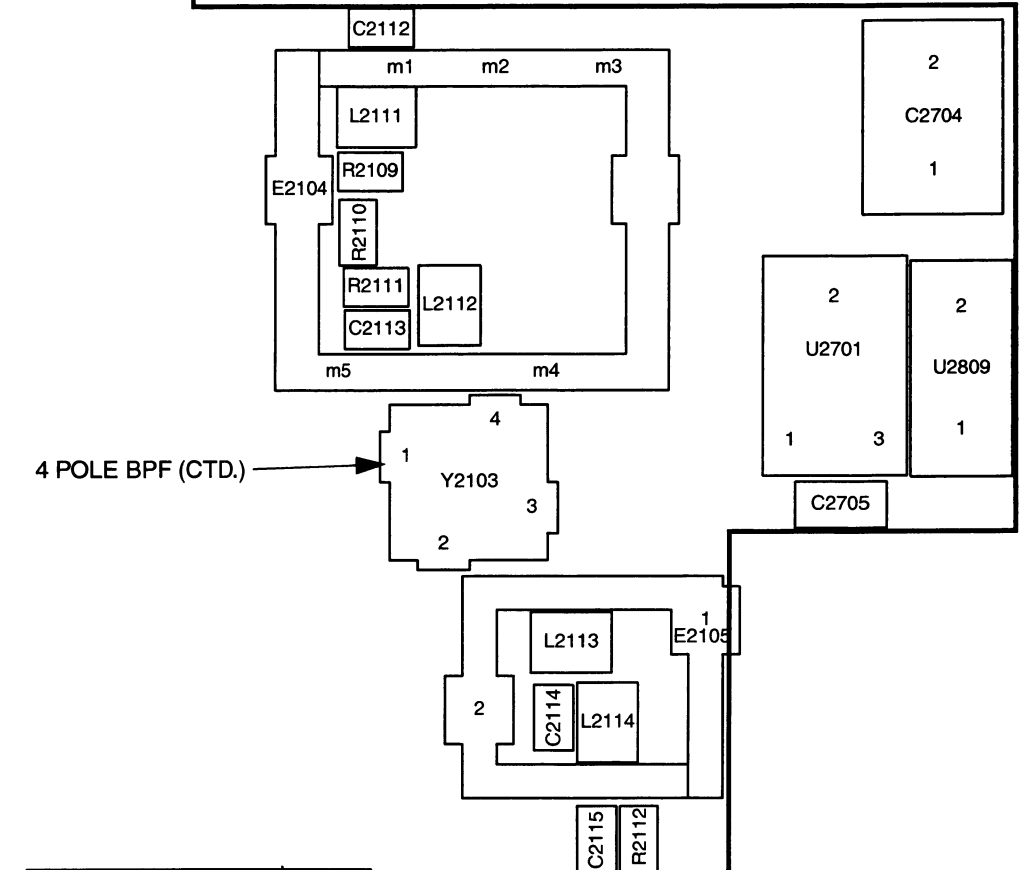
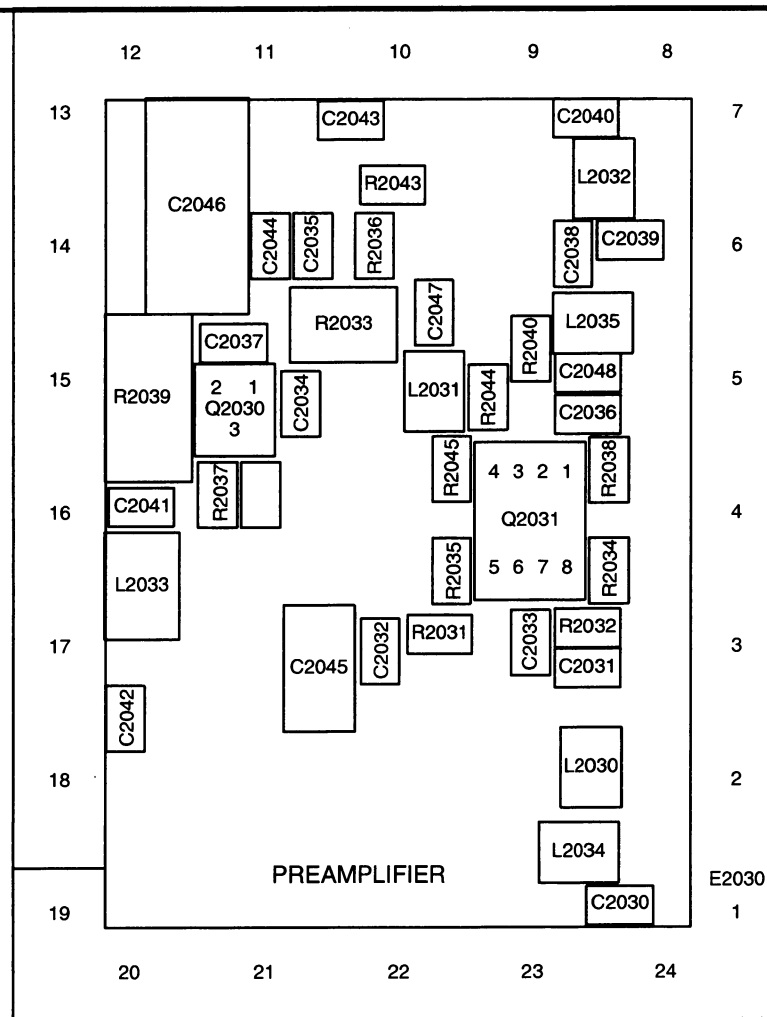
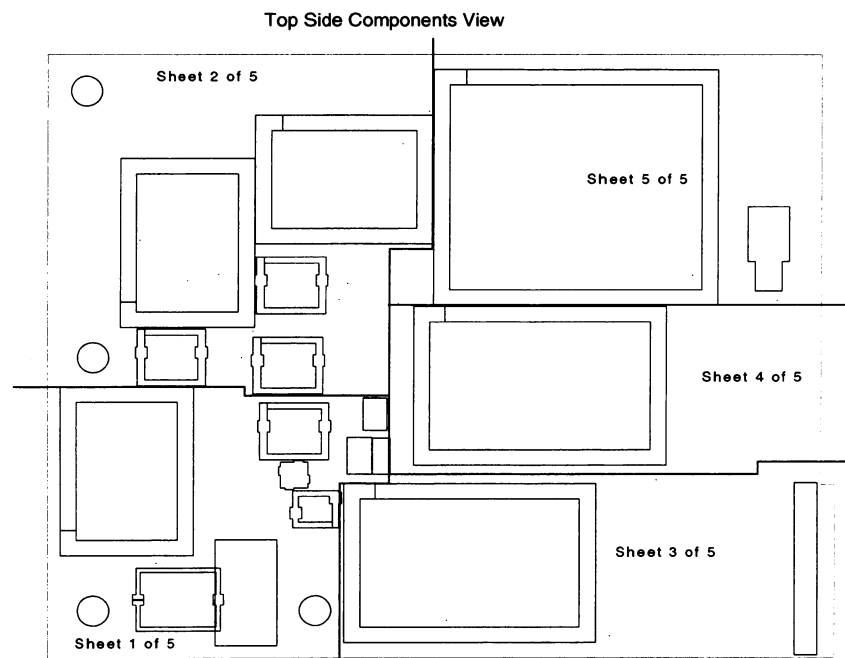
## MODEL CRX4022B



Notes:  
 1. Bold runners are surrounded by a guardband driven by U2403-14.  
 2. Ignore indicates that the part is not installed.

RECEIVER SYNTHESIZER



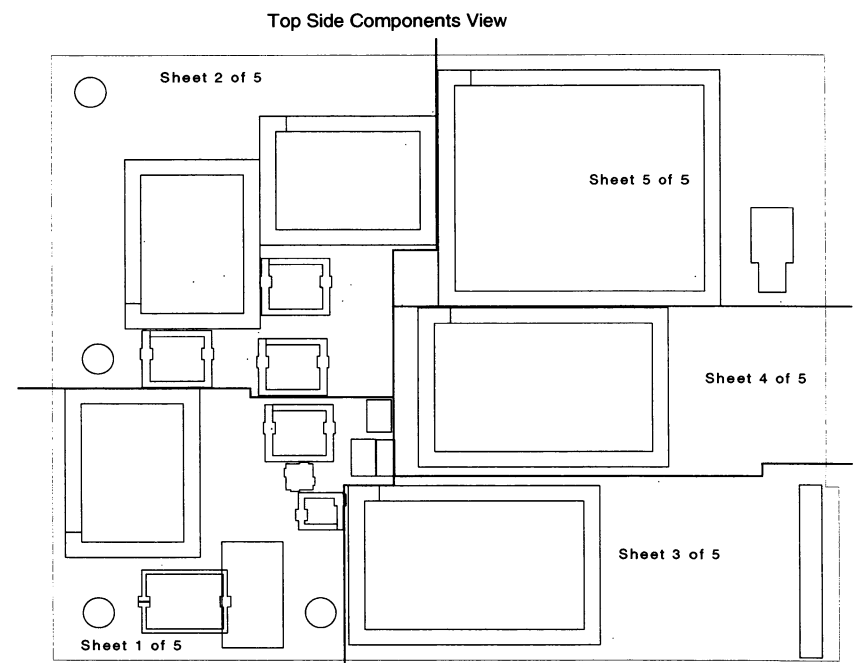
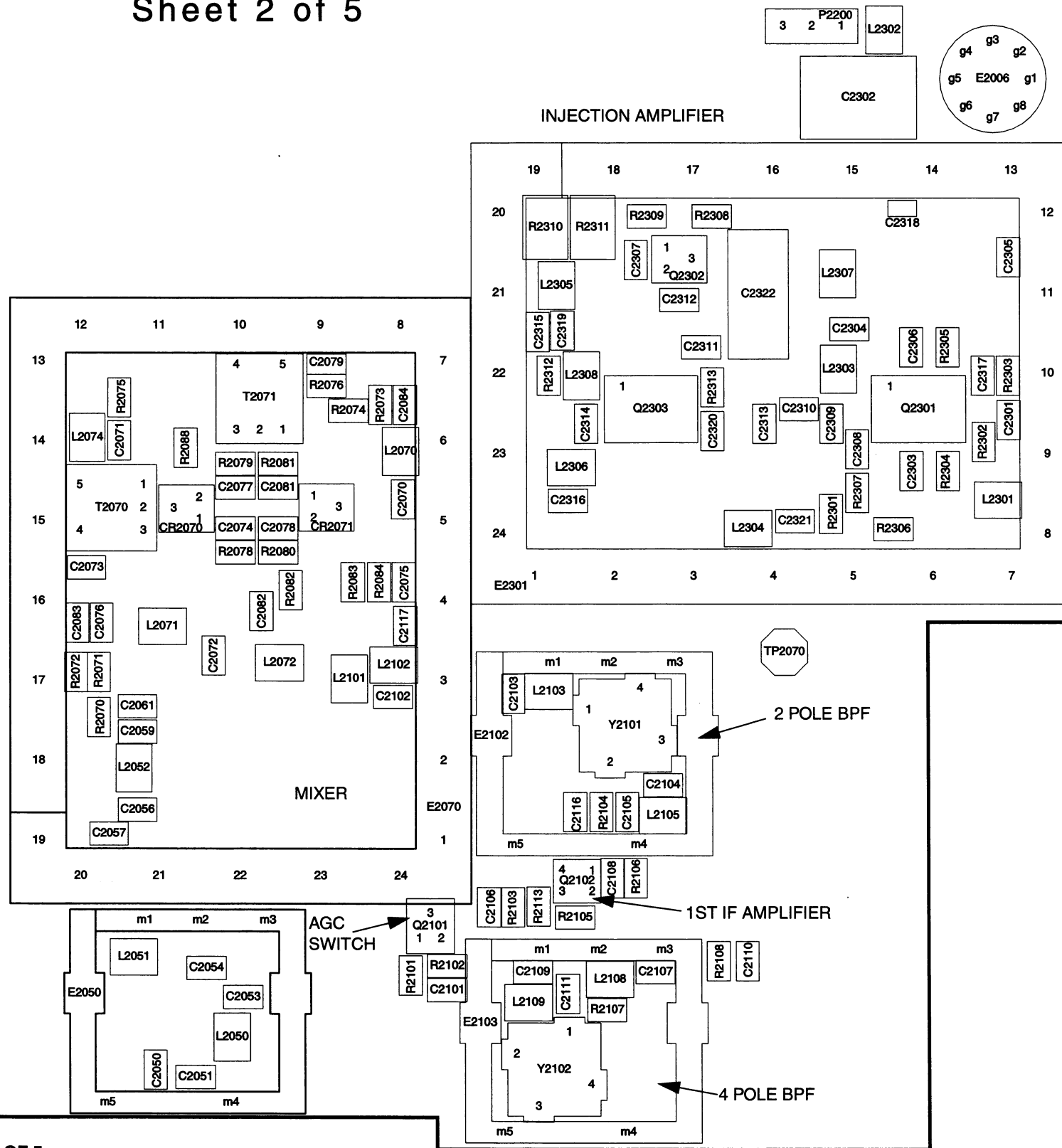
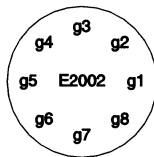
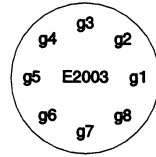


Sheet 1 of 5

# RANGE 0 RECEIVER

MODEL CRX4022B

Sheet 2 of 5

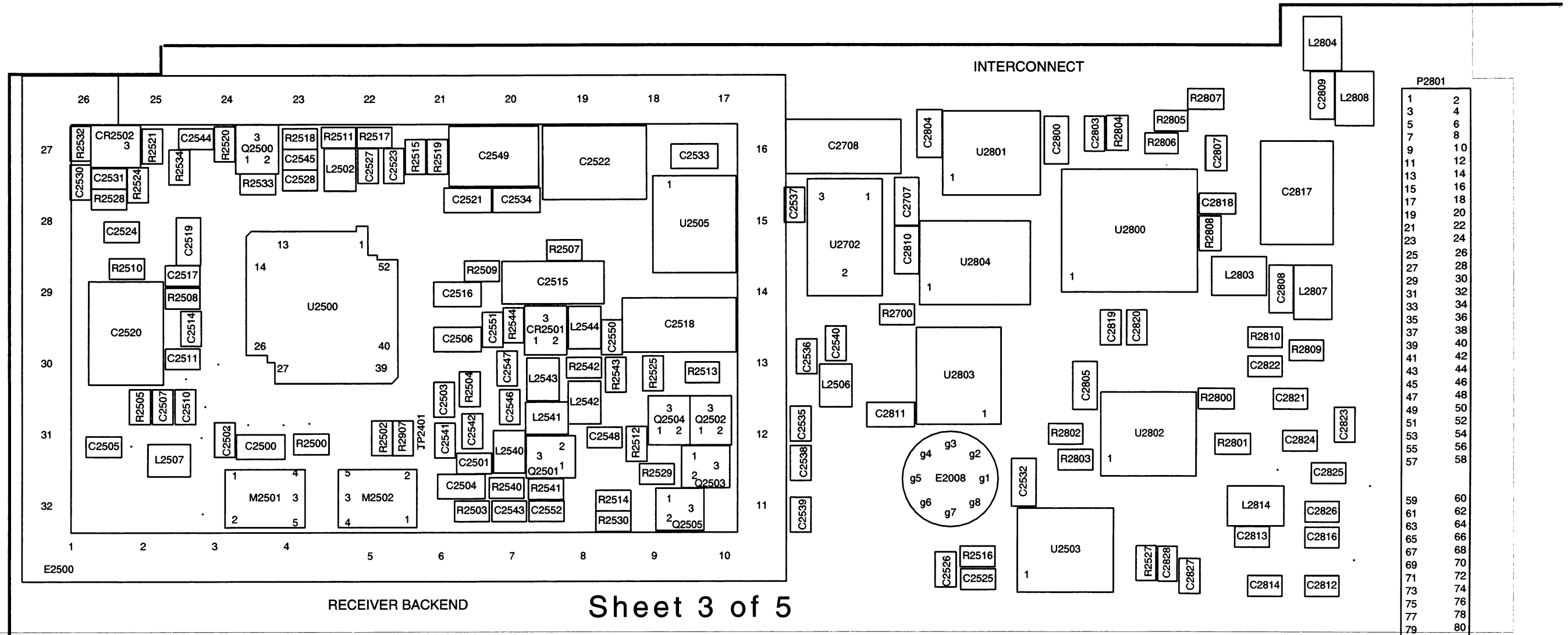


UHF RANGE 0 RECEIVER OVERLAY — SHEET 2 OF 5

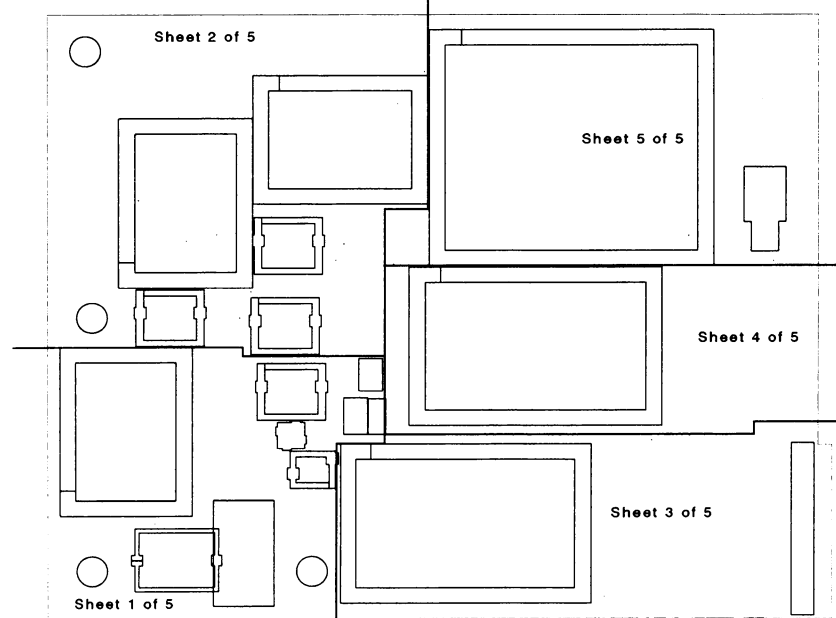


# RANGE 0 RECEIVER

MODEL CRX4022B



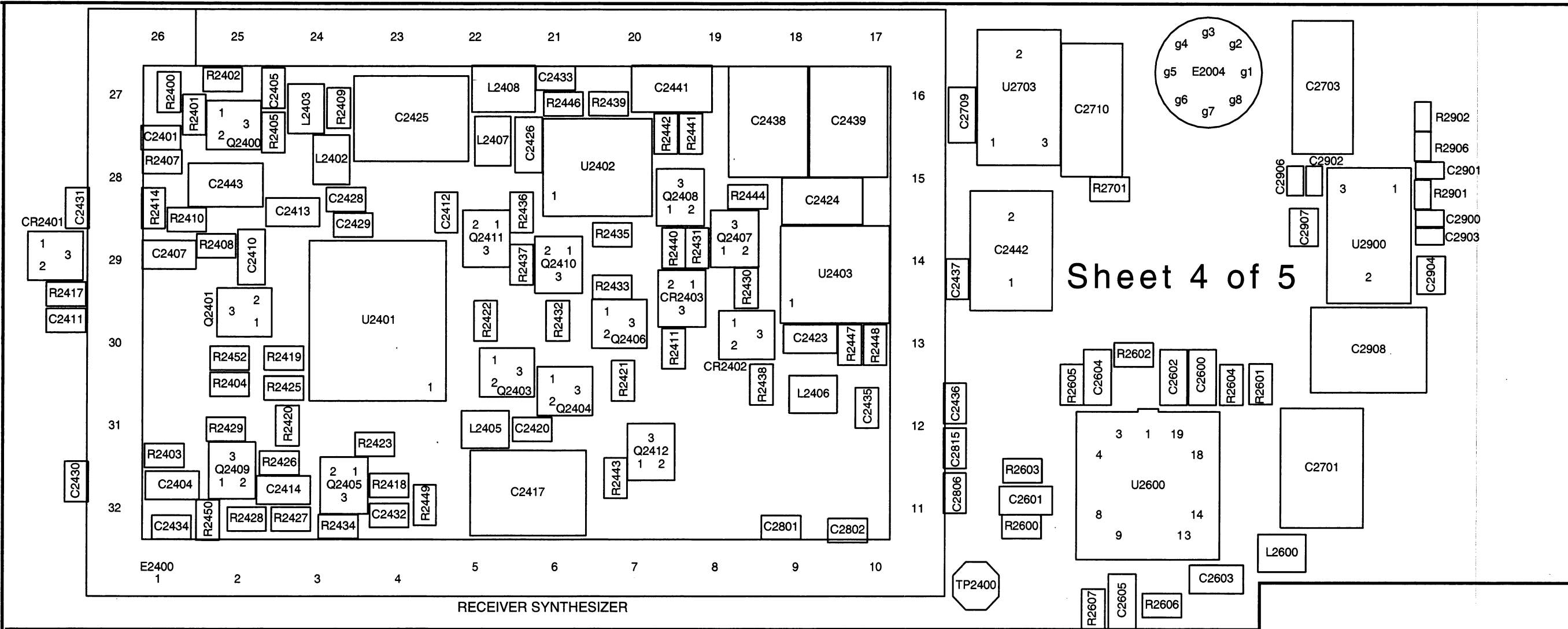
Top Side Components View



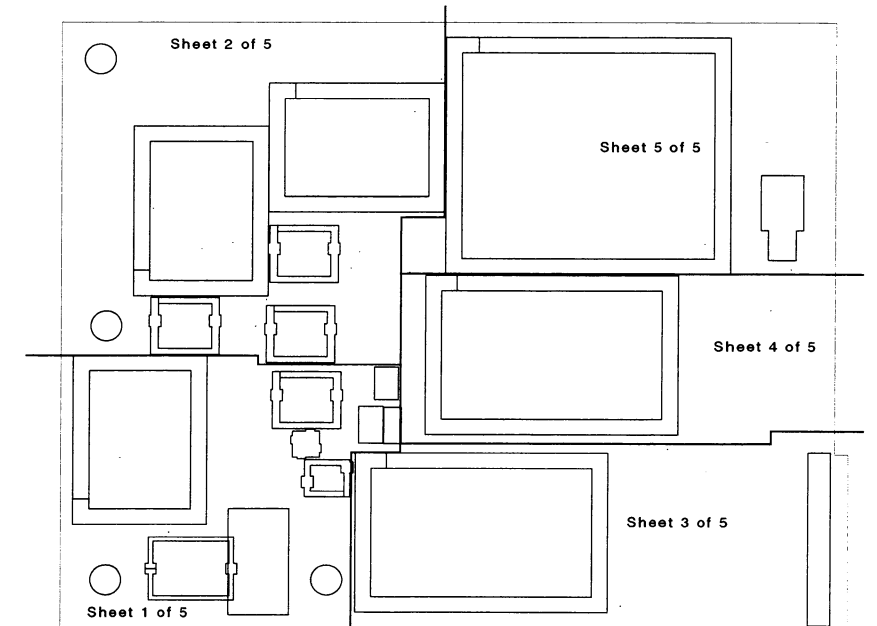
# RANGE 0 RECEIVER

MODEL CRX4022B

INTERCONNECT



Top Side Components View





## Parts List

### CRX4022B Range 0 Receiver

Reference	Part Number	Description	Reference	Part Number	Description
		<b>capacitor, fixed:</b>			
C2020	2113740G13	CAP CERAMIC CHIP 2.7 PF +/-1PF	C2219	2113742L11	CAP CER CHIP 12.0PF +/- 2%
C2021	2113740A23	CAP CHIP REEL CL1 +/-30 6.2	C2220	2113742L07	CAP CER CHIP 10.0PF +/- 0.1PF
C2022	2113740G13	CAP CERAMIC CHIP 2.7 PF +/-1PF	C2224	2113740F51	CAP CHIP REEL CL1 +/-30 100
C2030	2113740A23	CAP CHIP REEL CL1 +/-30 6.2	C2225	2113741A53	CAP CHIP CL2 X7R REEL 22000
C2032	2113740A55	CAP CHIP REEL CL1 +/-30 100	C2227	2113741F49	CAP CHIP CL2 X7R REEL 10000
C2033	2113740A49	CAP CHIP REEL CL1 +/-30 56	C2228	2113740F51	CAP CHIP REEL CL1 +/-30 100
C2034	2113741A45	CAP CHIP CL2 X7R REEL 10000	C2250	2113740F51	CAP CHIP REEL CL1 +/-30 100
C2035	2113740A55	CAP CHIP REEL CL1 +/-30 100	C2252	2113740F51	CAP CHIP REEL CL1 +/-30 100
C2037	2113741A45	CAP CHIP CL2 X7R REEL 10000	C2254	2113742K44	CAP CER CHIP 6.8PF +/- 0.1PF
C2038	2113740A55	CAP CHIP REEL CL1 +/-30 100	C2255	2113906B07	CAP CER CHIP LSR 3.2/3.8 PF
C2040	2113740A21	CAP CHIP REEL CL1 +/-30 5.6	C2256	2113742K30	CAP CER CHIP 3.3PF +/- 0.1PF
C2041	2113741A45	CAP CHIP CL2 X7R REEL 10000	C2257	2113742L11	CAP CER CHIP 12.0PF +/- 2%
C2043	2113740A55	CAP CHIP REEL CL1 +/-30 100	C2258	2113742L07	CAP CER CHIP 10.0PF +/- 0.1PF
C2044	2113741A45	CAP CHIP CL2 X7R REEL 10000	C2259	2113740F51	CAP CHIP REEL CL1 +/-30 100
C2047	2113740A11	CAP CHIP REEL CL1 +/-30 2.2	C2260	2113741A53	CAP CHIP CL2 X7R REEL 22000
C2048	2113740A29	CAP CHIP REEL CL1 +/-30 10	C2261	2113740F51	CAP CHIP REEL CL1 +/-30 100
C2050	2113740G28	CAP CERAMIC CHIP 9.1 PF +/-1PF	C2263	2113740F51	CAP CHIP REEL CL1 +/-30 100
C2051	2113740G34	CAP CERAMIC CHIP 16 PF +/-2%	C2264	2113741F49	CAP CHIP CL2 X7R REEL 10000
C2053	2113740G35	CAP CER CHIP 18PF 2%	C2265	2113740F51	CAP CHIP REEL CL1 +/-30 100
C2054	2113740G27	CAP CERAMIC CHIP 8.2 PF +/-1PF	C2266, 2277	2113740L10	CAP CER CHIP 4.7 PF +/-0.1PF
C2056	2113740G11	CAP CERAMIC CHIP 2.2 PF +/-1PF	C2301	2113740A29	CAP CHIP REEL CL1 +/-30 100
C2057	2113740G35	CAP CER CHIP 18PF 2%	C2302	2380090M24	CAP ALU 10 20 50V SURF MT
C2059	2113740G35	CAP CER CHIP 18PF 2%	C2303, 2304	2113740A79	CAP CHIP REEL CL1 +/-30 1000
C2061	2113740G28	CAP CERAMIC CHIP 9.1 PF +/-1PF	C2305	2113740A55	CAP CHIP REEL CL1 +/-30 100
C2070	2113740A21	CAP CHIP REEL CL1 +/-30 5.6	C2306	2113740A79	CAP CHIP REEL CL1 +/-30 1000
C2071	2113740A55	CAP CHIP REEL CL1 +/-30 100	C2307	2113741A45	CAP CHIP CL2 X7R REEL 10000
C2072	2113740A43	CAP CHIP REEL CL1 +/-30 39	C2308	2113740A55	CAP CHIP REEL CL1 +/-30 100
C2073	2113740G11	CAP CERAMIC CHIP 2.2 PF +/-1PF	C2309	2113740G07	CAP CERAMIC CHIP 1.5 PF +/-1PF
C2074	2113741A45	CAP CHIP CL2 X7R REEL 10000	C2310	2113740A19	CAP CHIP REEL CL1 +/-30 4.7
C2075	2113740G13	CAP CERAMIC CHIP 2.7 PF +/-1PF	C2311	2113740A55	CAP CHIP REEL CL1 +/-30 100
C2076	2113740A25	CAP CHIP REEL CL1 +/-30 7.5	C2312	2113741A45	CAP CHIP CL2 X7R REEL 10000
C2077, 2078	2113741A45	CAP CHIP CL2 X7R REEL 10000	C2313	2113740A29	CAP CHIP REEL CL1 +/-30 10
C2079	2113740A28	CAP CHIP REEL CL1 +/-30 9.1	C2314	2113740A55	CAP CHIP REEL CL1 +/-30 100
C2081	2113741A45	CAP CHIP CL2 X7R REEL 10000	C2315	2113740A79	CAP CHIP REEL CL1 +/-30 1000
C2082	2113740A71	CAP CHIP REEL CL1 +/-30 470	C2316	2113740A17	CAP CHIP REEL CL1 +/-30 3.9
C2083	2113740A46	CAP CHIP REEL CL1 +/-30 47	C2317	2113740A24	CAP CHIP REEL CL1 +/-30 6.8
C2084	2113740G03	CAP CERAMIC CHIP 1.0 PF +/-1PF	C2319	2113741A61	CAP CHIP CL2 X7R REEL 47000
C2101	2113741A45	CAP CHIP CL2 X7R REEL 10000	C2321	2113740A19	CAP CHIP REEL CL1 +/-30 4.7
C2102	2113740A27	CAP CHIP REEL CL1 +/-30 8.2	C2322	2311049A45	CAP TANT CHIP 10 10 35
C2103	2113740A17	CAP CHIP REEL CL1 +/-30 3.9	C2401	2113740G03	CAP CERAMIC CHIP 1.0 PF +/-1PF
C2105	2113740A19	CAP CHIP REEL CL1 +/-30 4.7	C2404	2113741B69	CAP CHIP CL2 X7R REEL 100000
C2106	2113741A45	CAP CHIP CL2 X7R REEL 10000	C2405	2113740A55	CAP CHIP REEL CL1 +/-30 100
C2107, 2108	2113741A45	CAP CHIP CL2 X7R REEL 10000	C2407	2113741B69	CAP CHIP CL2 X7R REEL 1000000
C2109	2113740A27	CAP CHIP REEL CL1 +/-30 8.2	C2410	2113741B69	CAP CHIP CL2 X7R REEL 100000
C2110	2113741A45	CAP CHIP CL2 X7R REEL 10000	C2411	2113741A45	CAP CHIP CL2 X7R REEL 10000
C2111	2113740A33	CAP CHIP REEL CL1 +/-30 15	C2412	2113740A55	CAP CHIP REEL CL1 +/-30 100
C2112	2113740G11	CAP CERAMIC CHIP 2.2 PF +/-1PF	C2413, 2414	2113741B69	CAP CHIP CL2 X7R REEL 100000
C2113	2113740G13	CAP CERAMIC CHIP 2.7 PF +/-1PF	C2417	2380090M24	CAP ALU 10 20 50V SURF MT
C2114	2113740G05	CAP CERAMIC CHIP 1.2 PF +/-1PF	C2420	2113740A55	CAP CHIP REEL CL1 +/-30 100
C2116	2113740G05	CAP CERAMIC CHIP 1.2 PF +/-1PF	C2423	2113741B69	CAP CHIP CL2 X7R REEL 100000
C2117	2113740G11	CAP CERAMIC CHIP 2.2 PF +/-1PF	C2424	0882422W39	CAP FILM 5M 0.022UF 63V 5%
C2200	2113741A45	CAP CHIP CL2 X7R REEL 10000	C2425	2380090M24	CAP ALU 10 20 50V SURF MT
C2201	2380090M27	CAP ALU 330 20 16V	C2426	2113741B69	CAP CHIP CL2 X7R REEL 100000
C2202	2380090M07	CAP ALU 47 20 16.0V SURF MT	C2428	2113740A21	CAP CHIP REEL CL1 +/-30 5.6
C2203	0882422W40	CAP FILM 5M 0.047UF 63V 5%	C2429	2113740A55	CAP CHIP REEL CL1 +/-30 100
C2205	2113740F51	CAP CHIP REEL CL1 +/-30 100	C2438, 2439	0882422W45	CAP FILM 5M 1.0UF 63V 5%
C2208	2113740F51	CAP CHIP REEL CL1 +/-30 100	C2441	0882422W42	CAP FILM 5M 0.220UF 63V 5%
C2212	2113741A45	CAP CHIP CL2 X7R REEL 10000	C2500	2113741B69	CAP CHIP CL2 X7R REEL 100000
C2215	2113740F51	CAP CHIP REEL CL1 +/-30 1000	C2501	2113740A21	CAP CHIP REEL CL1 +/-30 5.6
C2216	2113742K44	CAP CER CHIP 6.8PF +/- 0.1PF	C2502, 2503	2113741A45	CAP CHIP CL2 X7R REEL 10000
C2217	2113906B07	CAP CER CHIP LSR 3.2/3.8 PF	C2504	2113741B69	CAP CHIP CL2 X7R REEL 100000
C2218	2113742K30	CAP CER CHIP 3.3PF +/- 0.1PF	C2505	2113741A45	CAP CHIP CL2 X7R REEL 10000
			C2506	2113741B69	CAP CHIP CL2 X7R REEL 100000
			C2507	2113741A45	CAP CHIP CL2 X7R REEL 10000

Parts List CRX4022B Range 0 Receiver

Reference	Part Number	Description	Reference	Part Number	Description
C2510, 2511	2113741A45	CAP CHIP CL2 X7R REEL 10000	L2030	2462587N41	CHIP IND 10 NH 5%
C2514	2113741A61	CAP CHIP CL2 X7R REEL 47000	L2031	2462587X50	IND CHIP LO-PRO 56.0 NH 5%
C2515	2311049A10	CAP TANT CHIP 2.2 10 35 A/P	L2032	2462587X42	IND CHIP LO-PRO 12.0 NH 5%
C2516	2113741B69	CAP CHIP CL2 X7R REEL 100000	L2033	2411087A36	COIL CHIP 6.8 UH 10 A/P
C2517	2113741A57	CAP CHIP CL2 X7R REEL 33000	L2035	2462587R17	IND CHIP 8.2NH 5%
C2518	2311049A21	CAP TANT CHIP 22 10 20 A/P	L2050 - 2052	2462587X44	IND CHIP LO-PRO 18.0 NH 5%
C2519	2113741B69	CAP CHIP CL2 X7R REEL 100000	L2070	2462587R16	IND CHIP 4.7NH 5%
C2520	2380090M24	CAP ALU 10 20 50V SURF MT	L2071, 2072	2462587X51	IND CHIP LO-PRO 68.0 NH 5%
C2521	2113741B69	CAP CHIP CL2 X7R REEL 100000	L2074	2462587X49	IND CHIP LO-PRO 47.0 NH 5%
C2522	2380090M24	CAP ALU 10 20 50V SURF MT	L2101	2462587X55	IND CHIP LO-PRO 150 NH 5%
C2523, 2524	2113741A45	CAP CHIP CL2 X7R REEL 10000	L2102	2462587X59	IND CHIP LO-PRO 330 NH 5%
C2527	2113741A45	CAP CHIP CL2 X7R REEL 10000	L2103	2462587X68	IND CHIP LO-PRO 1,000 NH 5%
C2528	2113740A71	CAP CHIP REEL CL1 +/-30 470	L2105	2462587X68	IND CHIP LO-PRO 1,000 NH 5%
C2530	2113741A53	CAP CHIP CL2 X7R REEL 22000	L2108	2462587N71	CHIP IND 1800 NH 5%
C2531	2113740A55	CAP CHIP REEL CL1 +/-30 100	L2109	2462587X64	IND CHIP LO-PRO 680 NH 5%
C2532 - 2534	2113741B69	CAP CHIP CL2 X7R REEL 100000	L2111, 2112	2462587X68	IND CHIP LO-PRO 1,000 NH 5%
C2540	2113741A45	CAP CHIP CL2 X7R REEL 10000	L2113	2462587X59	IND CHIP LO-PRO 330 NH 5%
C2542, 2543	2113740A24	CAP CHIP REEL CL1 +/-30 6.8	L2114	2462587X68	IND CHIP LO-PRO 1,000 NH 5%
C2546	2113740A39	CAP CHIP REEL CL1 +/-30 27	L2200	2462587X57	IND CHIP LO-PRO 220 NH 5%
C2547	2113740A42	CAP CHIP REEL CL1 +/-30 36	L2202	2462587X57	IND CHIP LO-PRO 220 NH 5%
C2548	2113740A79	CAP CHIP REEL CL1 +/-30 1000	L2204	2462587X44	IND CHIP LO-PRO 18.0 NH 5%
C2550	2113740A79	CAP CHIP REEL CL1 +/-30 1000	L2205 - 2208	2462587X57	IND CHIP LO-PRO 220 NH 5%
C2551	2113740G11	CAP CERAMIC CHIP 2.2 PF +/-1PF	L2250	2462587X44	IND CHIP LO-PRO 18.0 NH 5%
C2552	2113740A39	CAP CHIP REEL CL1 +/-30 27	L2251 - 2255	2462587X57	IND CHIP LO-PRO 220 NH 5%
C2600 - 2605	2113741B69	CAP CHIP CL2 X7R REEL 100000	L2256	2462587X43	IND CHIP LO-PRO 15.0 NH 5%
C2701	2380090M24	CAP ALU 10 20 50V SURF MT	L2301	2462587R17	IND CHIP 8.2NH 5%
C2702	2113741B69	CAP CHIP CL2 X7R REEL 100000	L2302	2462587X57	IND CHIP LO-PRO 220 NH 5%
C2703	2311049A21	CAP TANT CHIP 22 10 20 A/P	L2303	2462587R17	IND CHIP 8.2NH 5%
C2705	2113741B69	CAP CHIP CL2 X7R REEL 100000	L2304	2462587X44	IND CHIP LO-PRO 18.0 NH 5%
C2707	2113741B69	CAP CHIP CL2 X7R REEL 100000	L2305	2462587X68	IND CHIP LO-PRO 1,000 NH 5%
C2708	2311049A21	CAP TANT CHIP 22 10 20 A/P	L2306	2462587X44	IND CHIP LO-PRO 18.0 NH 5%
C2709	2113741B69	CAP CHIP CL2 X7R REEL 100000	L2307	2462587X68	IND CHIP LO-PRO 1,000 NH 5%
C2710	2311049A21	CAP TANT CHIP 22 10 20 A/P	L2308	2462587X57	IND CHIP LO-PRO 220 NH 5%
C2800	2113741B69	CAP CHIP CL2 X7R REEL 100000	L2402	2462587X43	IND CHIP LO-PRO 15.0 NH 5%
C2801	2113740A55	CAP CHIP REEL CL1 +/-30 100	L2403 - 2407	2462587X57	IND CHIP LO-PRO 220 NH 5%
C2802	2113740A77	CAP CHIP REEL CL1 +/-30 820	L2408	2411087A54	COIL CHIP 220 UH 10 A/P
C2803	2113740A55	CAP CHIP REEL CL1 +/-30 100	L2502	2462587N71	CHIP IND 1800 NH 5%
C2804, 2805	2113741B69	CAP CHIP CL2 X7R REEL 100000	L2506	2462587X57	IND CHIP LO-PRO 220 NH 5%
C2806, 2807	2113740A33	CAP CHIP REEL CL1 +/-30 15	L2507	2462587X57	IND CHIP LO-PRO 220 NH 5%
C2808 - 2811	2113741B69	CAP CHIP CL2 X7R REEL 100000	L2540	2413923A17	IND CHIP 820 NH 2%
C2812 - 2816	2113740A33	CAP CHIP REEL CL1 +/-30 15	L2541, 2542	2462587N72	CHIP IND 2200 NH 3%
C2818 - 2820	2113740A33	CAP CHIP REEL CL1 +/-30 15	L2543	2413923A05	IND CHIP 120 NH 2%
C2821 - 2826	2113740A55	CAP CHIP REEL CL1 +/-30 100	L2544	2413923A07	IND CHIP 180 NH 2%
C2827, 2828	2113740A33	CAP CHIP REEL CL1 +/-30 15	L2600	2462587N71	CHIP IND 1800 NH 5%
C2900 - 2902	2113741F49	CAP CHIP CL2 X7R REEL 10000	L2803, 2804	2484657R01	INDUCTOR BEAD CHIP
C2903	2113740F51	CAP CHIP REEL CL1 +/-30 100	L2807, 2808	2484657R01	INDUCTOR BEAD CHIP
C2904	2113741Y32	CAP CER 1,000,000 10% 50V	M2501, 2502	9185128U02	FLTR L-C 450KC LCF- 450
C2906	2113740F51	CAP CHIP REEL CL1 +/-30 100			
C2907	2113741Y32	CAP CER 1,000,000 10% 50V			
C2908	2380090M07	CAP ALU 47 20 16.0V SURF MT			
		<b>diode (see note):</b>			
CR2070, 2071	4882290T04	DIODE SI HOT CARRIER	Q2030	4813824A17	XSTR PNP40V .2A GENP B=100-300
CR2201	4813825A06	PIN DIODE 35V	Q2031	4813827A24	TSTR NPN SML SIG MRF5812 5812
CR2203 - 2206	4862824C01	DIODE VARACTOR	Q2101	4813824A10	TSTR NPN 40V .2A GEN PURP
CR2251 - 2254	4862824C01	DIODE VARACTOR	Q2102	4885228U05	TSTR GAAS DL GATE
CR2255	4813825A06	PIN DIODE 35V			MESFET_U73_
CR2401	4813825A05	DIODE 30V HOT CARRIER	Q2200	4813824A10	TSTR NPN 40V .2A GEN PURP
		MMBD301L	Q2201	4813824A10	TSTR NPN 40V .2A GEN PURP
CR2402, 2403	4813833C10	DIODE GEN PUR 70V MMBD6050	Q2202	4813824A17	XSTR PNP40V .2A GENP B=100-300
CR2501, 2502	4813825A01	VARACTOR 3V DUAL	Q2203	4813824A10	TSTR NPN 40V .2A GEN PURP
		<b>connector:</b>	Q2204	4813824A17	XSTR PNP40V .2A GENP B=100-300
J2020	0984393T01	CONN MINI UHF RT ANGLE PCB MT	Q2205	4885228U03	TSTR NPN 6V 30UA 12GHZ
		<b>inductor:</b>			NE68519
L2020, 2021	2462587X44	IND CHIP LO-PRO 18.0 NH 5%	Q2206	4813827A03	TSTR NPN SML SIG MMBR901LT1
					7X
			Q2250	4885228U03	TSTR NPN 6V 30UA 12GHZ
					NE68519
			Q2252	4813827A03	TSTR NPN SML SIG MMBR901LT1
					7X

transistor (see note):

Reference	Part Number	Description	Reference	Part Number	Description
Q2301	4813827A26	TSTR NPN SML SIG MRF8372 8372	R2223	0611077A60	RES CHIP 270 5 1/8W
Q2302	4813824A17	XSTR PNP40V .2A GENP B=100-300	R2224	0662057A56	CHIP RES 2000 OHMS 5%
Q2303	4813827A26	TSTR NPN SML SIG MRF8372 8372	R2225	0662057A56	CHIP RES 2000 OHMS 5%
Q2400	4813827A03	TSTR NPN SML SIG MMBR901LT1 7X	R2226	0662057A49	CHIP RES 1000 OHMS 5%
Q2401	4813824A10	TSTR NPN 40V .2A GEN PURP	R2227	0611077D97	RES CHIP 100 1 1/8W
Q2403, 2404	4813824A10	TSTR NPN 40V .2A GEN PURP	R2228	0611077A01	RES CHIP JUMPER
Q2405	4813824A17	XSTR PNP40V .2A GENP B=100-300	R2230	0662057A57	CHIP RES 2200 OHMS 5%
Q2406, 2407	4813824A10	TSTR NPN 40V .2A GEN PURP	R2231	0662057B47	CHIP RES 0 OHMS +- .050 OHMS
Q2408	4813824A17	XSTR PNP40V .2A GENP B=100-300	R2251	0662057A09	CHIP RES 22 OHMS 5%
Q2409, 2410	4813824A10	TSTR NPN 40V .2A GEN PURP	R2252	0611077A60	RES CHIP 270 5 1/8W
Q2411	4813824A17	XSTR PNP40V .2A GENP B=100-300	R2253, 2254	0662057A56	CHIP RES 2000 OHMS 5%
Q2412	4813824A10	TSTR NPN 40V .2A GEN PURP	R2255	0662057B47	CHIP RES 0 OHMS +- .050 OHMS
Q2501	4813827A03	TSTR NPN SML SIG MMBR901LT1 7X	R2256	0662057A57	CHIP RES 2200 OHMS 5%
Q2502 - 2505	4813824A10	TSTR NPN 40V .2A GEN PURP	R2257	0662057A49	CHIP RES 1000 OHMS 5%
R2030	0611079A92	RES FIXED CHIP 5600 5 1/10 A/P	R2258	0662057A89	CHIP RES 47K OHMS 5%
R2031	0611079A74	RES FIXED CHIP 1000 5 1/10 A/P	R2259	0611077D97	RES CHIP 100 1 1/8W
R2033	0611072A09	RES CHIP 22 5 1/4	R2270	0662057A09	CHIP RES 22 OHMS 5%
R2034	0611079A01	RES FIXED CHIP 0 5 1/10W A/P	R2301	0611079A26	RES FIXED CHIP 10 5 1/10W A/P
R2036	0611079A90	RES FIXED CHIP 4700 5 1/10 A/P	R2302	0611079A60	RES FIXED CHIP 270 5 1/10W A/P
R2037	0611079A84	RES FIXED CHIP 2700 5 1/10 A/P	R2303	0611079A72	RES FIXED CHIP 820 5 1/10W A/P
R2038	0611079A01	RES FIXED CHIP 0 5 1/10W A/P	R2304 - 2306	0611079A46	RES FIXED CHIP 68 5 1/10W A/P
R2039	0683962T37	RES CHIP 33 5-1	R2307	0611079A56	RES FIXED CHIP 180 5 1/10W A/P
R2040	0611079A58	RES FIXED CHIP 220 5 1/10W A/P	R2308	0611079A82	RES FIXED CHIP 2200 5 1/10 A/P
R2043	0611079A90	RES FIXED CHIP 4700 5 1/10 A/P	R2309	0611079A70	RES FIXED CHIP 680 5 1/10W A/P
R2044	0611079A50	RES FIXED CHIP 100 5 1/10W A/P	R2310, 2311	0611072A15	RES CHIP 39 5 1/4
R2045	0611079A56	RES FIXED CHIP 180 5 1/10W A/P	R2312	0611079A70	RES FIXED CHIP 680 5 1/10W A/P
R2070	0611079A74	RES FIXED CHIP 1000 5 1/10 A/P	R2313	0611079A72	RES FIXED CHIP 820 5 1/10W A/P
R2071	0611079A21	RES FIXED CHIP 6.2 5 1/10W A/P	R2400	0611079A82	RES FIXED CHIP 2200 5 1/10 A/P
R2072	0611079A74	RES FIXED CHIP 1000 5 1/10 A/P	R2401	0611079B01	RES FIXED CHIP 12K 5 1/10 A/P
R2073	0611079A60	RES FIXED CHIP 270 5 1/10W A/P	R2402	0611079A84	RES FIXED CHIP 2700 5 1/10 A/P
R2074	0611079A24	RES FIXED CHIP 8.2 5 1/10W A/P	R2403, 2404	0611079A82	RES FIXED CHIP 2200 5 1/10 A/P
R2075	0611079A42	RES FIXED CHIP 47 5 1/10W A/P	R2405	0611079A66	RES FIXED CHIP 470 5 1/10W A/P
R2076	0611079A60	RES FIXED CHIP 270 5 1/10W A/P	R2407	0611079A42	RES FIXED CHIP 47 5 1/10W A/P
R2078 - 2081	0611079A60	RES FIXED CHIP 270 5 1/10W A/P	R2408	0611079A36	RES FIXED CHIP 27 5 1/10W A/P
R2082	0611079A86	RES FIXED CHIP 3300 5 1/10 A/P	R2409	0611079A42	RES FIXED CHIP 47 5 1/10W A/P
R2083	0611079A74	RES FIXED CHIP 1000 5 1/10 A/P	R2410	0611079A50	RES FIXED CHIP 100 5 1/10W A/P
R2084	0611079A98	RES FIXED CHIP 10K 5 1/10 A/P	R2411	0611079A82	RES FIXED CHIP 2200 5 1/10 A/P
R2088	0611079A01	RES FIXED CHIP 0 5 1/10W A/P	R2414	0611079A72	RES FIXED CHIP 820 5 1/10W A/P
R2101, 2102	0611079A98	RES FIXED CHIP 10K 5 1/10 A/P	R2417	0611079A98	RES FIXED CHIP 10K 5 1/10 A/P
R2103	0611079A74	RES FIXED CHIP 1000 5 1/10 A/P	R2418	0611079A92	RES FIXED CHIP 5600 5 1/10 A/P
R2104	0611079A84	RES FIXED CHIP 2700 5 1/10 A/P	R2419, 2420	0611079A98	RES FIXED CHIP 10K 5 1/10 A/P
R2105	0611079A82	RES FIXED CHIP 2200 5 1/10 A/P	R2421, 2422	0611079A82	RES FIXED CHIP 2200 5 1/10 A/P
R2106	0611079A48	RES FIXED CHIP 82 5 1/10W A/P	R2423	0611079A98	RES FIXED CHIP 10K 5 1/10 A/P
R2107	0611079A66	RES FIXED CHIP 470 5 1/10W A/P	R2425	0611079A98	RES FIXED CHIP 10K 5 1/10 A/P
R2108	0611079A58	RES FIXED CHIP 220 5 1/10W A/P	R2426	0611079A50	RES FIXED CHIP 100 5 1/10W A/P
R2109	0611079A90	RES FIXED CHIP 4700 5 1/10 A/P	R2427	0611079A98	RES FIXED CHIP 10K 5 1/10 A/P
R2110	0611079A62	RES FIXED CHIP 330 5 1/10W A/P	R2428, 2429	0611079B15	RES FIXED CHIP 47K 5 1/10 A/P
R2111	0611079A90	RES FIXED CHIP 4700 5 1/10 A/P	R2430, 2431	0611079A88	RES FIXED CHIP 3900 5 1/10 A/P
R2113	0611079A50	RES FIXED CHIP 100 5 1/10W A/P	R2432, 2433	0611079A20	RES FIXED CHIP 5.6 5 1/10W A/P
R2200	0611079A60	RES FIXED CHIP 270 5 1/10W A/P	R2434	0611079A92	RES FIXED CHIP 5600 5 1/10 A/P
R2201	0611079A94	RES FIXED CHIP 6800 5 1/10 A/P	R2435	0611079A98	RES FIXED CHIP 10K 5 1/10 A/P
R2202	0611079A98	RES FIXED CHIP 10K 5 1/10 A/P	R2436	0611079A88	RES FIXED CHIP 3900 5 1/10 A/P
R2203	0611079A84	RES FIXED CHIP 2700 5 1/10 A/P	R2437	0611079A98	RES FIXED CHIP 10K 5 1/10 A/P
R2204	0611079A26	RES FIXED CHIP 10 5 1/10W A/P	R2438	0611079A58	RES FIXED CHIP 220 5 1/10W A/P
R2205	0611079A26	RES FIXED CHIP 10 5 1/10W A/P	R2439	0611079A92	RES FIXED CHIP 5600 5 1/10 A/P
R2206	0611079A84	RES FIXED CHIP 2700 5 1/10 A/P	R2440	0611079A58	RES FIXED CHIP 220 5 1/10W A/P
R2207	0611079A66	RES FIXED CHIP 470 5 1/10W A/P	R2441	0611079A68	RES FIXED CHIP 560 5 1/10W A/P
R2208	0611079A98	RES FIXED CHIP 10K 5 1/10 A/P	R2442	0611079B03	RES FIXED CHIP 15K 5 1/10 A/P
R2209	0611079A84	RES FIXED CHIP 2700 5 1/10 A/P	R2443	0611079A98	RES FIXED CHIP 10K 5 1/10 A/P
R2212	0611079A84	RES FIXED CHIP 2700 5 1/10 A/P	R2444	0611079A92	RES FIXED CHIP 5600 5 1/10 A/P
R2213	0611079A66	RES FIXED CHIP 470 5 1/10W A/P	R2446	0611079A98	RES FIXED CHIP 10K 5 1/10 A/P
R2214	0611079A26	RES FIXED CHIP 10 5 1/10W A/P	R2447	0611079B03	RES FIXED CHIP 15K 5 1/10 A/P
R2216	0662057A09	CHIP RES 22 OHMS 5%	R2448	0611079A98	RES FIXED CHIP 10K 5 1/10 A/P
R2217	0611079A01	RES FIXED CHIP 0 5 1/10W A/P	R2449	0611079A01	RES FIXED CHIP 0 5 1/10W A/P
R2218	0662057A89	CHIP RES 47K OHMS 5%	R2450	0611079A86	RES FIXED CHIP 3300 5 1/10 A/P
R2220	0662057A17	CHIP RES 47 OHMS 5%	R2452	0611079A74	RES FIXED CHIP 1000 5 1/10 A/P
R2222	0662057A09	CHIP RES 22 OHMS 5%	R2500	0611079A38	RES FIXED CHIP 33 5 1/10W A/P
			R2502	0611079A46	RES FIXED CHIP 68 5 1/10W A/P
			R2503	0611079A36	RES FIXED CHIP 27 5 1/10W A/P

Parts List CRX4022B Range 0 Receiver

Reference	Part Number	Description
R2504	0611079A82	RES FIXED CHIP 2200 5 1/10 A/P
R2505	0611079A36	RES FIXED CHIP 27 5 1/10W A/P
R2507	0611079A56	RES FIXED CHIP 180 5 1/10W A/P
R2508	0611079B33	RES FIXED CHIP 270K 5 1/10 A/P
R2509	0611079A36	RES FIXED CHIP 27 5 1/10W A/P
R2510	0611079A21	RES FIXED CHIP 6.2 5 1/10W A/P
R2512	0611079A62	RES FIXED CHIP 330 5 1/10W A/P
R2513	0611079A98	RES FIXED CHIP 10K 5 1/10 A/P
R2514	0611079A34	RES FIXED CHIP 22 5 1/10W A/P
R2515	0611079A42	RES FIXED CHIP 47 5 1/10W A/P
R2516	0611079A46	RES FIXED CHIP 68 5 1/10W A/P
R2519	0611079A94	RES FIXED CHIP 6800 5 1/10 A/P
R2524	0611079A98	RES FIXED CHIP 10K 5 1/10 A/P
R2525	0611079A98	RES FIXED CHIP 10K 5 1/10 A/P
R2527	0611079A46	RES FIXED CHIP 68 5 1/10W A/P
R2528	0611079B11	RES FIXED CHIP 33K 5 1/10 A/P
R2529	0611079A62	RES FIXED CHIP 330 5 1/10W A/P
R2530	0611079A34	RES FIXED CHIP 22 5 1/10W A/P
R2532 - 2534	0611079A01	RES FIXED CHIP 0 5 1/10W A/P
R2540	0611079A98	RES FIXED CHIP 10K 5 1/10 A/P
R2541	0611079A66	RES FIXED CHIP 470 5 1/10W A/P
R2542	0611079A62	RES FIXED CHIP 330 5 1/10W A/P
R2543	0611079A26	RES FIXED CHIP 10 5 1/10W A/P
R2544	0611079A98	RES FIXED CHIP 10K 5 1/10 A/P
R2600	0611079A98	RES FIXED CHIP 10K 5 1/10 A/P
R2601	0611079B09	RES FIXED CHIP 27K 5 1/10 A/P
R2602, 2603	0611079A98	RES FIXED CHIP 10K 5 1/10 A/P
R2604	0611079A90	RES FIXED CHIP 4700 5 1/10 A/P
R2605	0611079A86	RES FIXED CHIP 3300 5 1/10 A/P
R2606	0611079A92	RES FIXED CHIP 5600 5 1/10 A/P
R2607	0611079A86	RES FIXED CHIP 3300 5 1/10 A/P
R2800 - 2807	0611079A98	RES FIXED CHIP 10K 5 1/10 A/P
R2808	0611079A42	RES FIXED CHIP 47 5 1/10W A/P
R2809, 2810	0611079A70	RES FIXED CHIP 680 5 1/10W A/P
R2901	0662057T47	CHIP RES 121 OHMS 1%
R2902	0662057T68	RES CHIP 1.0K 1% 30*60
R2906	0662057T45	CHIP RES 68.1 OHMS 1%
R2907	0611079A46	RES FIXED CHIP 68 5 1/10W A/P
<b>transformer:</b>		
T2070, 2071	2584600T01	BALUN RF
<b>integrated circuit (see note):</b>		
U2201	9183223X20	COAXIAL RESONATOR SRF=555MHZ
U2250	9183223X19	COAXIAL RESONATOR SRF=605MHZ
U2401	5184602T04	IC SYNTHZR SPEED SCRND
U2402	5113806A21	IC MC14066BDR2
U2403	5183077Y01	HI SPEED QUAD AMP SO14
U2500	5184523T08	IC ABACUS JEDEZ 52QFP
U2503	5182550Y02	ANO TRIPLE 3-IN 14 SOIC T+R
U2505	5113819A02	IC LOW PWR DIFF INPUT LM2902

Reference	Part Number	Description
U2600	5182374Y01	IC A/D 8 BIT
U2701 - 2703	5113816A07	REG 5V POS 500MA MC78M05BDTRK
U2800	5113805A54	IC OCT BFR LINE DRV/RCVR HC244
U2801	5182550Y02	ANO TRIPLE 3-IN 14 SOIC T+R
U2802	5113805A22	IC QUAD 2 INPUT EXOR
U2803	5113805A13	IC QUAD 2INP OR 74HC32AD
U2804	5113808A22	IC DCCR/DOMUX DUAL 10F 4 AC139
U2805	5182276R82	IC REGLTR VLTG LO DRPOUT 2940
U2809	2311049A21	CAP TANT CHIP 22 10 20 A/P
U2900	5113816A19	IC ADJ LO DROPOUT POS REG .8A
<b>crystal (see note):</b>		
Y2101	9184784T04	FLTR XTAL 73.35MH HIGH IM
Y2102, 2103	9184784T06	FLTR XTAL 73.35MHZ 2POLE
<b>non-referenced items:</b>		
	2682953X01	SHLD RCVR 18X24MM (used with E2020)
	1584753T02	HSNG CORRAL MED (used with E2030)
	1585034U03	COVER SHIELD MEDIUM (used with E2030)
	2683732X01	MEDIUM SPECTRA SHIELD (used with E2050)
	1584753T02	HSNG CORRAL MED (used with E2070)
	1585034U03	COVER SHIELD MEDIUM (used with E2070)
	2683732X01	MEDIUM SPECTRA SHIELD (used with E2102)
	2683256X01	SHIELD 9 X 11MM (used with E2105)
	1584753T01	CORRAL, UHF (used with E2200)
	1585034U10	COVER UHF (used with E2200)
	1584753T02	HSNG CORRAL MED (used with E2301)
	1585034U03	COVER SHIELD MEDIUM (used with E2301)
	1584753T03	HSNG CORRAL LARGE (used with E2400)
	1585034U04	COVER SHIELD LARGE (used with E2400)
	1584753T03	HSNG CORRAL LARGE (used with E2500)
	1585034U04	COVER SHIELD LARGE (used with E2500)
	8483455Y01	BD CKT RCVR QUANTAR UHF RANGE 0
	5482006W02	RIBBON THERMAL XFER
	5482006W03	BARCODE LABEL

**NOTE 1:** For optimum performance, diodes, transistors, and integrated circuits must be ordered by Motorola part number.